

Array Ground Mounting-400



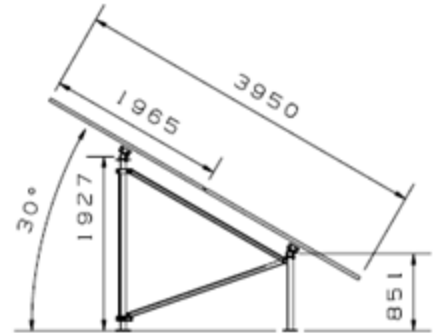
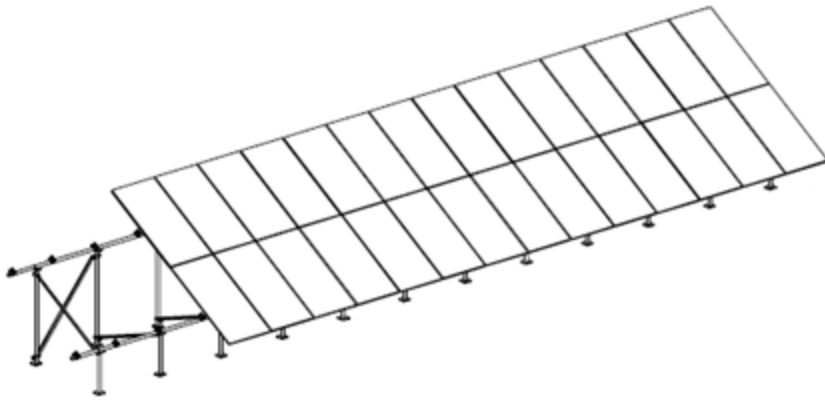
Array ground mounting-400 is designed for the large photovoltaic system. All components are pre-assembled according to the type of module selected. This guarantees easy installation on site.

地面支架400是为大型光伏电站设计的，支架上的配件出厂前都进行了预安装，以便现场安装时节约安装时间。

Features

产品特点

Wind Load 风载	55m/s or 200km/hour
Snow Load 雪载	1.5kn/m2
Structure 钢结构	hot dipped galvanized steel+Anodized Aluminum 热镀锌钢+阳极氧化铝
Module mounting area 安装面积	Standard 15 m2 to ∞ 标准15 m2 到 ∞
PV peak power 光伏峰值	2.4 Kwp to ∞
Total weight for 1KW 1KW总重量	About 280 kg without module 大约280 kg (除组件外)
Tracker type 跟踪支架类型	Fixed 固定
Height 高度	2.0 m
Distance from Ground to Panel 组件与地面之间的距离	400mm→500mm
Tilt angle 倾角	10°→ 60°
Panel type 组件类型	Any type of PV modules 任意类型组件
Maintenance 维护	Free, Panel Cleaning as required 支架无需维护，组件要求清洁



Foundation Type

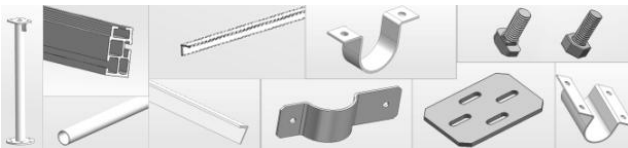
基础类型

Concrete 400mm x 500mm
混凝土 L*400, 500mm 深

Grounding Screw ϕ 76, 1600mm depth
地脚螺栓 ϕ 76, 1600mm 深

Standard Components

标准配件



Certification & Warranty

认证及保证期

Design and wind load certificate as Per AS/NZS1170.2:2002

Guarantee: Ten years guarantee on parts

